

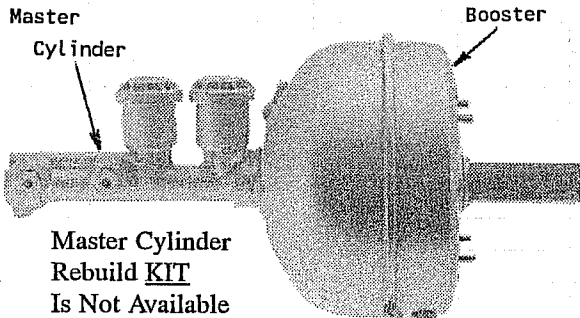
New Equipment By:
Bendix
Midland
Wagner
Delco

BRAKE BOOSTERS CHEVROLET / GMC

Rebuilt Equipment:
100% Factory Tested
Full Factory Warranty!

FOR PARK BRAKES, SEE DRIVE LINE SECTION

FIREWALL MOUNTED BOOSTERS Type 2



Master Cylinder
Rebuild KIT
Is Not Available

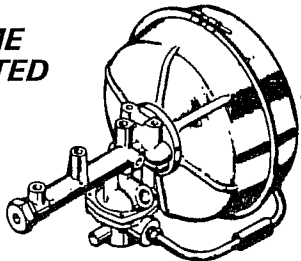
FOR GM
1967-69

- LK2003 Rebuilt Booster 1968 & Nwr
- LK2084 Rebuilt Booster 1967 Only

LK0102 How To Remove Booster Push-Rod

FRAME MOUNTED BOOSTERS Type 1

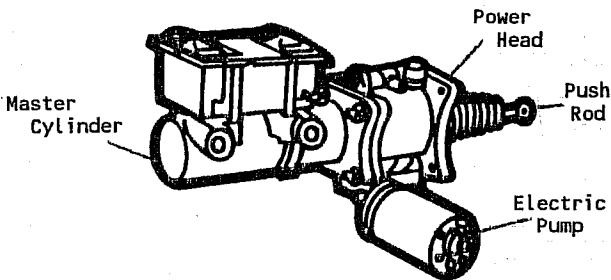
FRAME
MOUNTED



FOR GM
1969-78

- LK2017 New Booster (FRONT or REAR)
- LK2002 Rebuilt Booster (FRONT or REAR)
- LK2588 Adapter 5/16" IF Male / 1/4" IF Female
- LK2590 Adapter 1/4" IF Male / 5/16" IF Female
- LK5430 Booster Troubleshoot Guide

FIREWALL MOUNTED HYDRO-MAX POWER BOOSTERS Type 4



- LK0553 New Power Head
- LK0571 Reman Power Head
- LK0558 New Electric Pump
- LK0577 Reman Electric Pump
- LK0584 Control Relay for Elec Pump
- LK0559 O-Ring - Power Head to Elec Pump
- LK0578 Flow Switch
- LK0222 Hydraulic Hoses
- LK0723 Electronic Control Module
- JK0727 Push Rod
- LK0579 Grommet For Push Rod
- LK0582 How To Remove Push Rod
- LK0557 Kit - Power Head Rebuild
- LK0583 Power Head Rebuild Instructions

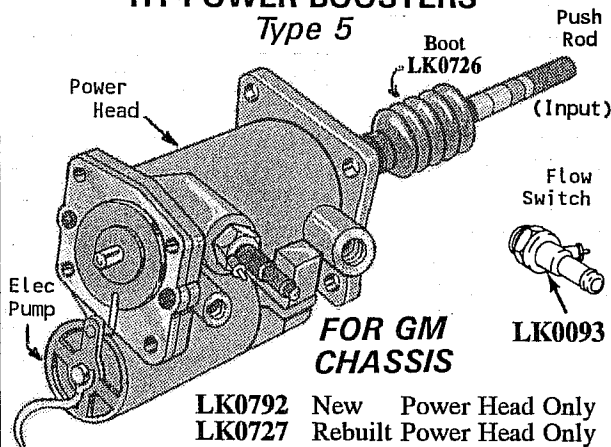


SERVICE INFORMATION



- LK5430 Troubleshoot Type-1 Booster
- LK0102 Remove Type-2 Push Rod
- LK2078 Troubleshoot Type-3 Booster
- LK9885 Rebuild Type-3 Power Head
- LK0582 Remove Type-4 Push Rod
- LK0583 Rebuild Type-4 Power Head
- LK2076 Troubleshoot Type-5 Power Head
- LK2079 Install Type-5 Check Valve
- LK8790 Rebuild Type-5 Power Head

HY-POWER BOOSTERS Type 5

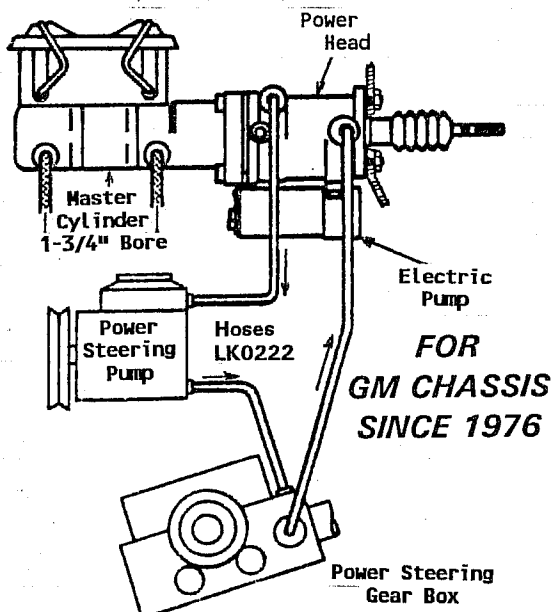


FOR GM
CHASSIS

- LK0792 New Power Head Only
- LK0727 Rebuilt Power Head Only
- LK0718 New Electric Pump Only
- LK0721 Rebuilt Electric Pump Only
- LK2427 Control Relay for Electric Pump Mtr
- LK0723 Electronic Control Module
- JK0569 Push Rod (Output to Master Cyl)
- JK0568 Push Rod (Input)
- LK0093 Flow Switch
- LK0222 Hydraulic Hoses
- LK2076 Troubleshoot Guide
- JK0570 Kit-Power Head Rebuild
- LK2079 Check Valve & Spring Instructions
- JK0974 Kit - Check Valve & Spring
- JK0973 Kit - O-Ring Seals For Electric Pump

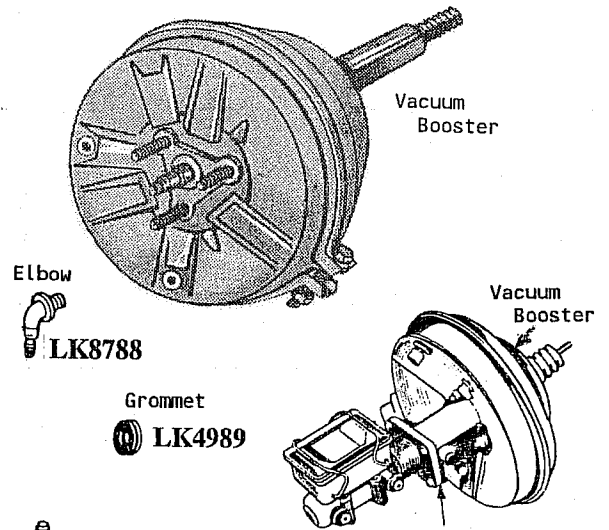


HY-POWER BRAKE SYSTEM

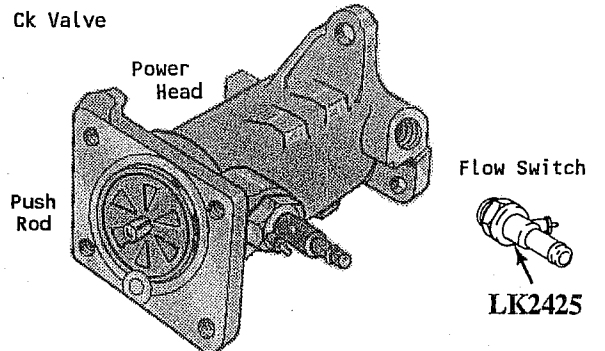


FOR
GM CHASSIS
SINCE 1976

DUAL-POWER BOOSTERS Type 3



LK8788
LK5215
CK Valve

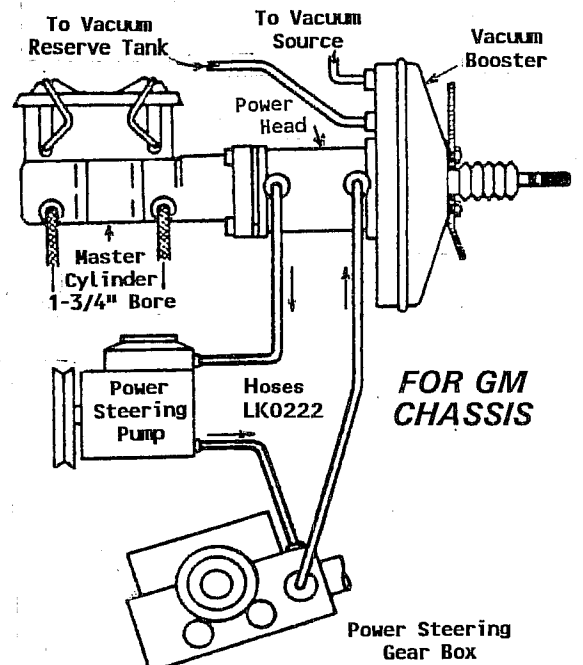


- LK2468 New Power Head Only
- LK2469 Rebuilt Power Head Only
- LK2471 New Vacuum Booster Only
- LK2473 Rebuilt Vacuum Booster Only
- JK0733 Push Rod (Output to Master Cyl)
- LK0222 Hydraulic Hoses
- LK0093 Flow Switch
- LK2078 Troubleshoot Guide
- LK9871 Kit - Power Head Rebuild
- LK9885 Power Head Rebuild Instructions



Dual-Power Boosters were used on Chevrolet and GMC from 1978 thru 1991.

DUAL POWER BRAKE SYSTEM



FOR GM
CHASSIS